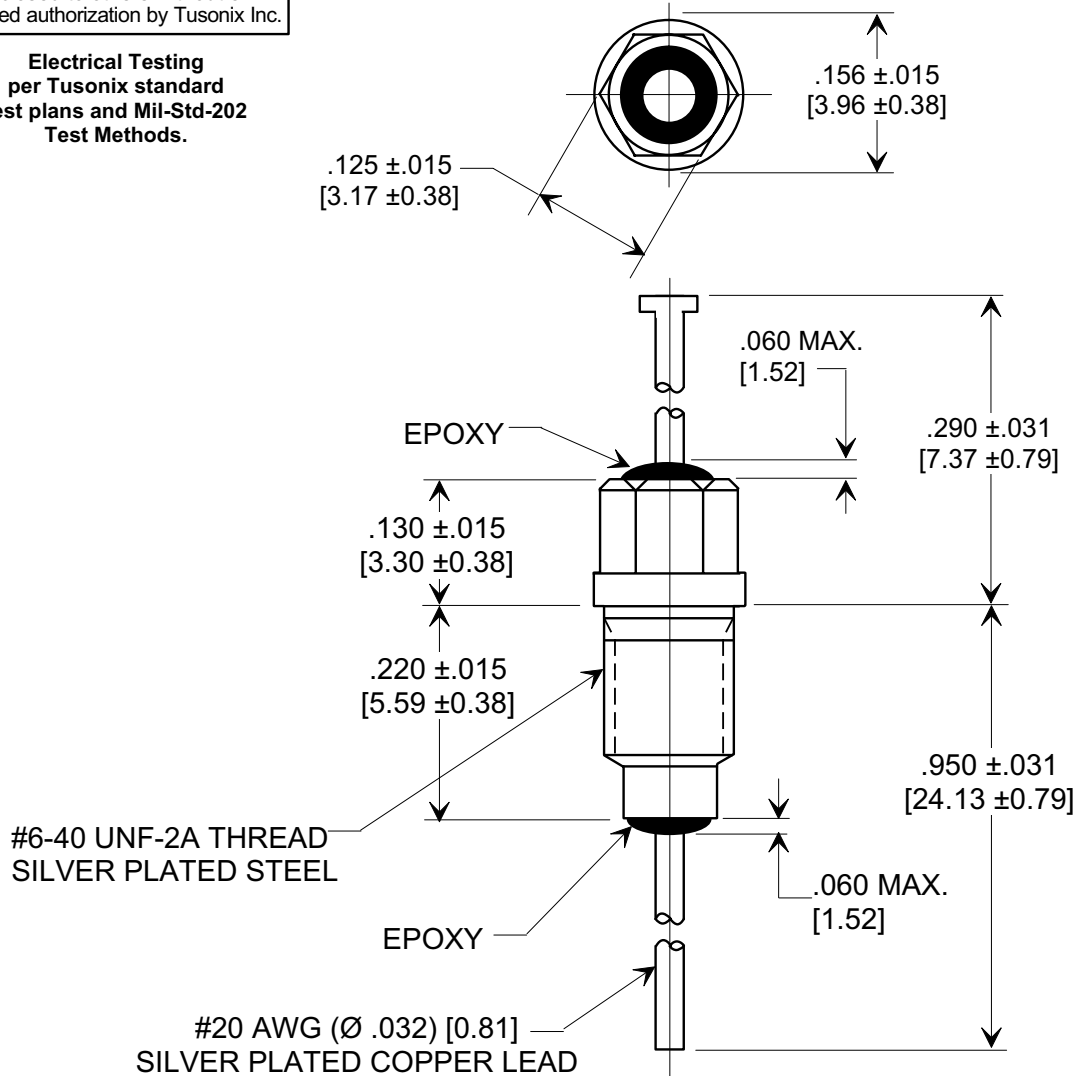
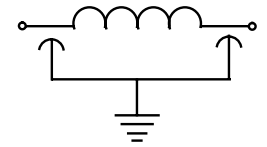
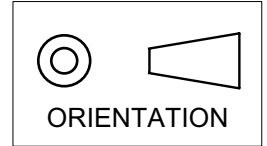


**MARKETING SALES DRAWING**

**DIMENSIONS IN INCHES - DO NOT SCALE THIS DRAWING**  
**DIMENSIONS IN METRIC - [ ]**

This drawing is the property of Tusonix, Inc., and may not be used, reproduced, published or disclosed to others without expressed authorization by Tusonix Inc.

**Electrical Testing**  
**per Tusonix standard**  
**test plans and Mil-Std-202**  
**Test Methods.**



**NOTES:**

- TUSONIX STANDARD PART NUMBER: 4200-005.  
 TUSONIX RoHS COMPLIANT PART NUMBER: 4200-005 LF.  
 CUSTOMER MUST SPECIFY STANDARD OR RoHS PART NUMBER WHEN ORDERING.
- LEAD FINISH: SILVER PLATED.
- PART MARKING: TRADEMARK AND VARIATION NUMBER ON HEX FLATS.  
 STANDARD PART: BLACK INK. RoHS PART: GREEN INK.
- SUPPLIED WITH SILVER PLATED COPPER HEX NUT AND INTERNAL TOOTH LOCK WASHER.

MIN. CAP.	WORKING VOLTAGE		I.R. MIN. @ 100 (VDC.)	DWV (VDC)	CURRENT V.D.C.	MINIMUM NO LOAD INSERTION LOSS (dB) AT 25°C PER MIL-STD-220			
	85°C	125°C				10MHz	100MHz	1GHz	10GHz
3000 pF	300 VDC	200 VDC	10 G Ω	900	10A	8	50	70	70

X-2015 Rev-0	REVISION RECORD	Original Release	0	REVISED BUSHING TO NEW SIMPLIFIED DWG. SM 03-08-06	20060303-2-03	<b>TUSONIX</b> TUCSON, ARIZONA	--TOLERANCES-- Unless Otherwise Specified		Title	
		C.O. 20000718-3-01	1				DECIMAL ± .031 [0.79]	<b>BUSHING STYLE EMI FILTER</b>		
		ADDED NOTES 1-3, DWV & IR. S.M. 11-10-05	2				ANGLES ±			Drawn L.E. 07-18-00
		20051027-1-11	1				Approved H.R. 07-18-00		<b>A</b>	<b>4200-005</b>